

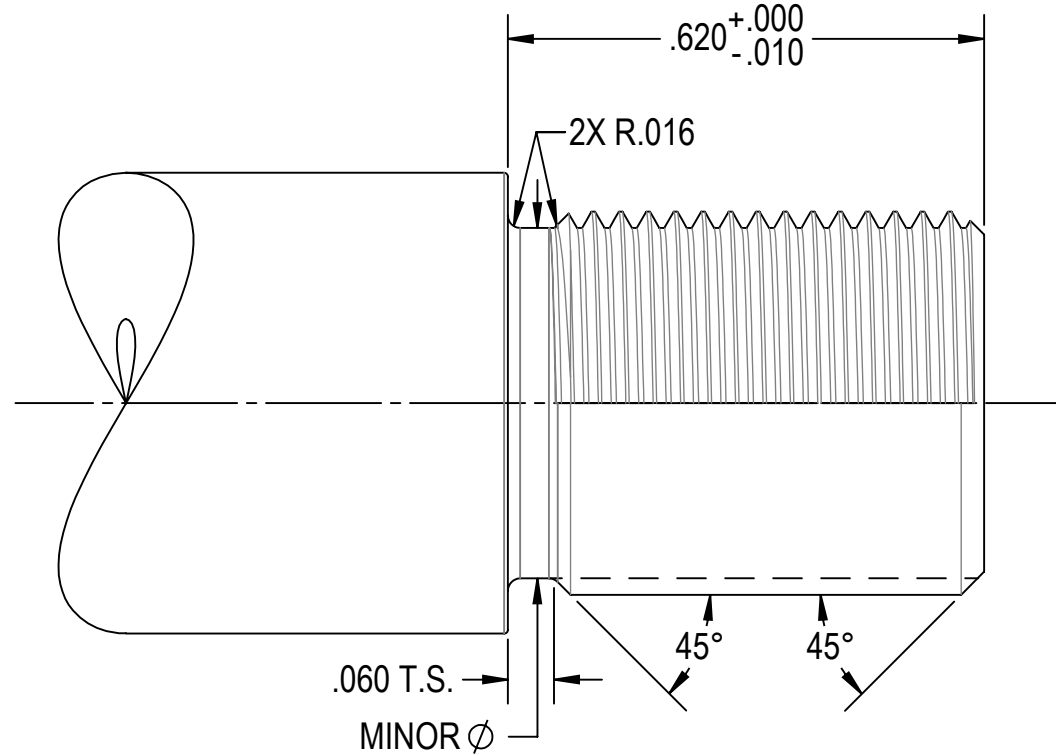
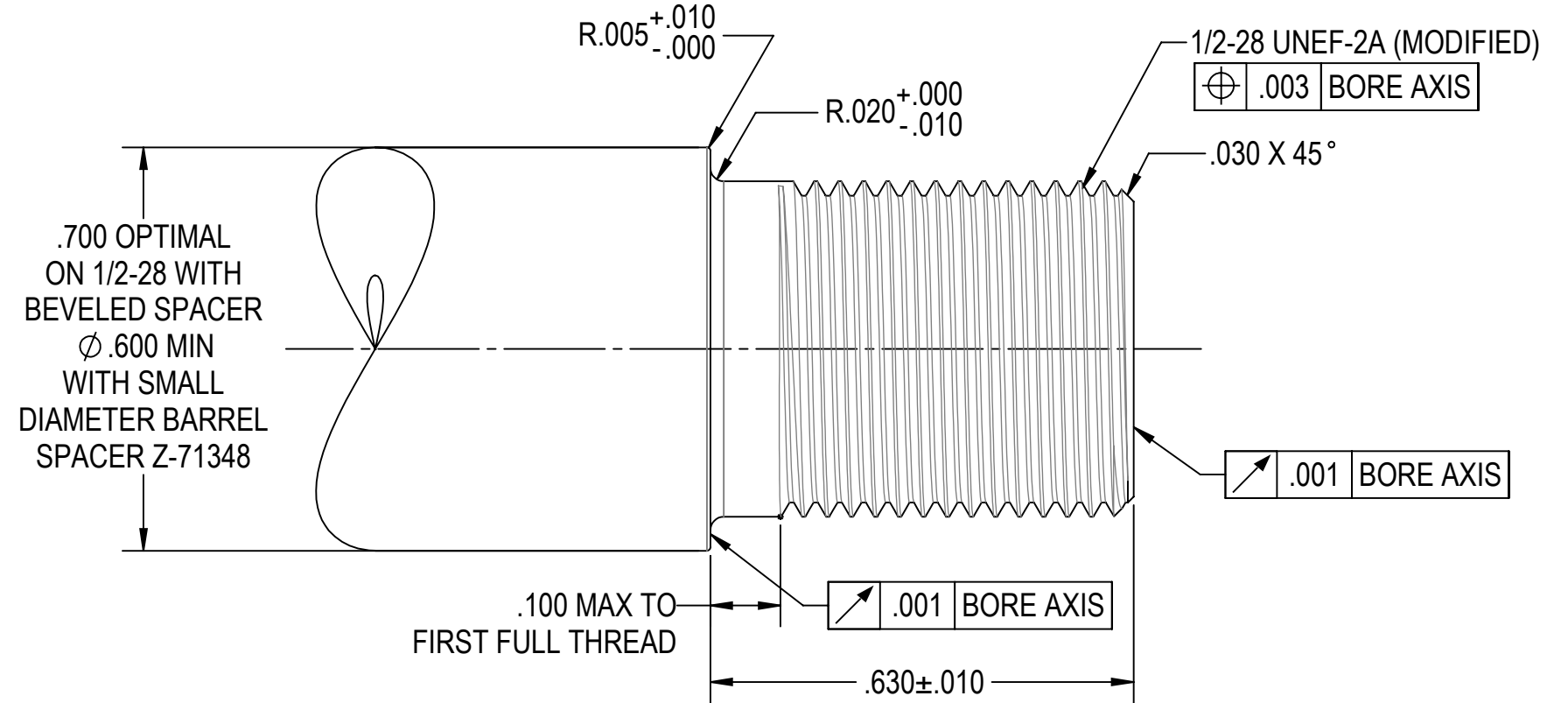
4

3

1

NOTES: UNLESS OTHERWISE SPECIFIED

- 1. THREAD SPECS 1/2-28 UNEF-2A (MODIFIED)
 MAJOR Ø: .4989 / .4924
 PITCH Ø: .4757 / .4737 (MOD)
 MINOR Ø: .4563 MAX
- 2. MODIFIED THREAD PROFILE ONLY APPLIES TO THE MINIMUM PITCH DIAMETER. SUREFIRE RECOMMENDS USING THE LARGEST .002 OF THE ALLOWABLE RANGE OF PITCH DIAMETERS TO ENSURE BEST POSSIBLE ALIGNMENT.
- 3. ALL DIMENSIONS APPLY AFTER FINISH.



OPTIONAL UNDERCUT
BEVELED SPACER IS NOT USED WITH THIS PROFILE

THE SUREFIRE BARREL THREAD PROFILE IS DESIGNED TO PROVIDE OPTIMAL PERFORMANCE WITHIN THE ANSI/ASME B1.1-1989 THREAD STANDARD.

SUREFIRE ASSUMES NO LIABILITY FOR PROPERTY DAMAGE, PERSONAL INJURY, AND/OR DEATH CAUSED BY INCOMPATIBILITY BETWEEN THE THREAD SPECIFICATIONS AND THE HOST FIREARM, MODIFICATIONS TO THE HOST FIREARM THAT DO NOT COMPLY WITH THE THREAD SPECIFICATIONS OR DEFECTS IN THE HOST FIREARM.

SUREFIRE		18300 MOUNT BALDY CIRCLE FOUNTAIN VALLEY, CA 92708 WWW.SUREFIRE.COM	
TITLE BARREL THREAD PROFILE 1/2-28 UNEF-2A (MODIFIED)			
SIZE B	CODE IDENT NO. 0BJZ8	DWG NO. 1/2-28 UNEF-2A	REV C
SCALE 4:1	WEIGHT	SHEET 1 OF 1	

4

3

2

1

SW