

## WARRANTY

SureFire warrants our suppressors and suppressor related products to be free from defects in workmanship and materials for the lifetime of the original owner. We will repair, replace, or refund your original purchase price of a product if it is determined by SureFire to be defective. This warranty does not cover normal wear and tear, damage to the suppressor resulting in whole or in part from unauthorized repairs, unstable or non-SAAMI/NATO specification ammunition, abuse, misuse, or neglect. Unwarranted repairs to the suppressor, including but not limited to core rebuilds, made necessary by any of these factors will be invoiced to the owner who will be given the right to approve such work before it commences. BSD's and BFA's are designed to be used with blank ammunition only. Any damage due to live fired rounds is not covered by this warranty and cannot be repaired. SureFire assumes no responsibility whatsoever and will honor no claims for damages, regardless of nature, for physical injury or property damage resulting from careless and/or irresponsible handling, adjustments to the suppressor and/or suppressor related products, neglect or abuse.

## DISCLAIMER

The above warranties are exclusive, and to the extent permitted by applicable laws, shall be in lieu of all other warranties, expressed or implied, including, without limitation, any warranty of merchantability or fitness for a particular use or purpose. SureFire disclaims any and all liability for product malfunctions, physical injuries, or property damage that result in whole, or in part, from the criminal, negligent, or improper use of the product; and/or from modifications or alterations thereto. In no event shall SureFire be liable for any incidental, special, or consequential damages relating to the purchase, use, or performance of any SureFire product.

## WARRANTY CLAIMS

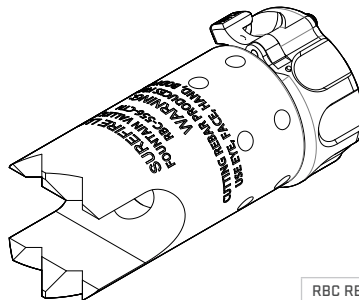
For repair or replacement email Technical Support at [technicalsupport@surefire.com](mailto:technicalsupport@surefire.com) or contact Customer Service at 800-828-8809 (toll free) or 714-545-9444 and obtain a Return Merchandise Authorization number (RMA#). An initial request for RMA can also be submitted through the link on [www.surefire.com](http://www.surefire.com). You may be supplied with additional shipping instructions specific to the product being returned. Package the unit carefully and in accordance with all instructions then return to the mailing address provided (no CODs please). SureFire will pay any reasonable shipping costs to return the unit to you. ©2019 SureFire, LLC. All rights reserved.

Revision E 07-2020  
71-01-1023  
RBC-556-CTN

18300 MT. BALDY CIRCLE  
FOUNTAIN VALLEY, CA 92708-6122  
[WWW.SUREFIRE.COM](http://WWW.SUREFIRE.COM)



**SUREFIRE**



| SPECS  | RBC REBAR CUTTER |                  |
|--------|------------------|------------------|
|        | CALIBER          | 5.56 mm          |
|        | WEIGHT           | 15 oz. (425.2 g) |
| LENGTH | 4 in. (10.6 cm)  |                  |

## RBC REBAR CUTTER

RBC-556-CTN-BK  
REINFORCING BAR CUTTER  
FOR WARCOMP-556-CTN-1/2-28 ADAPTERS ONLY

USER MANUAL

## INTRODUCTION

The SureFire Reinforcing Bar Cutter (RBC) is designed for breaching requirements when an operator needs to cut through reinforcing bar blocking entry. This product slides over the SureFire WARCOMP 556 CTN adapter and securely attaches to the adapter for rock-solid mounting via the same patented Fast-Attach® mechanism used on the SOCOM Suppressor Series. Cutting through rebar with live ammunition is inherently a dangerous situation; however, the RBC provides a more effective, safer option by aligning the bore of the weapon with the rebar and redirecting the majority of spalling from the fired round and rebar fragments away from the shooter. Simply index the RBC with the rebar and apply forward pressure while firing the weapon. The RBC will not degrade performance of the weapon or adversely affect ballistics.

## KIT CONTENTS

- RBC
- User Manual

### WARNING

ALWAYS confirm weapon is unloaded and on SAFE before attempting installation.

## ATTACHMENT

1. Depress Fast-Attach® mechanism latch and rotate the locking ring ½ turn counterclockwise to unlock.
2. Slide RBC over the WARCOMP 5.56 CTN Suppressor Adapter.
3. Rotate RBC until the indexing slot lines up and seats onto the suppressor adapter indexing tab (Fig. 1).
4. Tighten locking ring by rotating clockwise until rotation stops.  
*Note:* Audible clicks should be heard when tightening locking ring.
5. Verify RBC is securely attached by attempting to rotate while pulling away from the weapon system; only slight rotational movement under tension should be felt with the RBC remaining firmly in place.  
*Note:* When attached correctly, the RBC will have no forward movement and minimal rotational movement under tension.

## REMOVAL

1. Depress Fast-Attach® latch and rotate locking ring ½ turn counterclockwise.
2. Then remove RBC from muzzle device suppressor adapter.

FIGURE 1

