

## THE SUREFIRE NO-HASSLE GUARANTEE

We'll do what it takes to keep your SureFire gear running smoothly. SureFire warrants that if you — our customer — purchase one of our products, and we determine that it is defective in material and/or workmanship during your lifetime, we will repair or replace it — no hassle!

Our warranty does not cover consumables or normal wear-and-tear — things like batteries draining, headbands and headpads wearing out, ink cartridges running out, and switches wearing out — or damage resulting from abuse, alterations, unauthorized repairs, or use contrary to SureFire's user manuals.

Should you need a replacement product, SureFire reserves the right to replace an obsolete product with a current production, like model. In the event that any issue with a SureFire product is not covered under this warranty SureFire can arrange to have the product repaired for a reasonable fee.

## STANDARD DISCLAIMER

Except as specified above or prohibited by applicable law: all express or implied conditions and warranties, including, without limitation, any implied warranty or condition of merchantability or fitness for a particular purpose, or accuracy of any informational content, are hereby excluded and disclaimed by SureFire; and in no event will SureFire be liable for any special, direct, indirect, consequential, incidental or punitive damages howsoever arising and regardless of the theory of liability, even if advised of the possibility of such damages. Products, prices, availability, specifications, and offers are subject to change or cancellation at any time without notice.

## WARRANTY CLAIMS

For claims, contact Customer Service at 714-545-9444 to obtain a Return Merchandise Authorization number (RMA#). Then package the unit carefully and send to (no CODs):

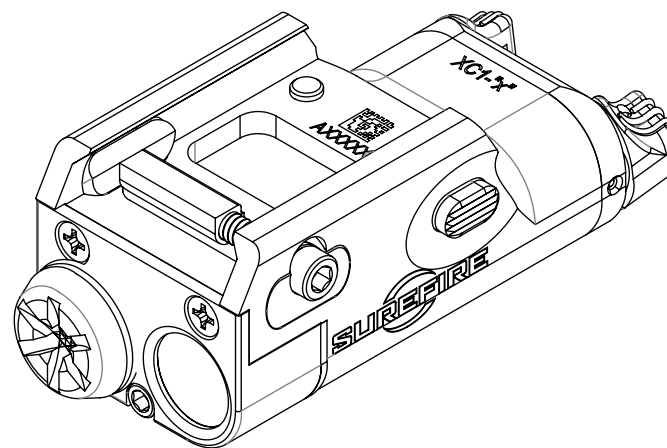
SureFire, LLC.  
Repairs Department, RMA# \_\_\_\_\_  
17680 Newhope Street, Suite B  
Fountain Valley, CA 92708

SureFire will pay any reasonable shipping costs to return the unit to you.

# XC1

## ULTRA-COMPACT LED HANDGUN LIGHT

XC1-B



		XC1-B
SPECIFICATIONS	OUTPUT	300 lumens
	RUNTIME	45 minutes
	PEAK BEAM INTENSITY	820 candela
	DISTANCE	54 meters
	CONSTRUCTION	Aluminum
	FINISH	Mil-Spec Hard Anodized
	WEIGHT (w/batteries)	1.6 oz (45.4 g)
	LENGTH	2.375 in (6 cm)
	BEZEL DIAMETER	.375 in (0.95 cm)
	BATTERIES	One AAA rechargeable NiMH (incl.) lithium* or alkaline*
SWITCHING	Ambidextrous momentary/constant; constant-on push through	

All performance claims tested to ANSI/NEMA FL1-2009 Standard.  
\*runtime and output will be reduced when using a lithium or alkaline battery

## KIT CONTENTS:

- XC1 WeaponLight
- AAA, Rechargeable NiMH Battery

## MOUNTING XC1 TO A HANDGUN

### ⚠ WARNING

ALWAYS confirm weapon is unloaded and on SAFE before attempting installation.

XC1's rail-mount bolt should be sufficiently loose before sliding the XC1 onto the rail (Fig. 1). To further loosen, if needed, turn screw on rail-mount bolt counterclockwise with a 3/32" Allen wrench until there's sufficient clearance to slide the XC1 onto the rail and over the cross member. Once properly positioned (looking through the indexing cutout) tighten screw (clockwise) so the bolt rises into the locking notch thereby securing the light to the firearm.

*NOTE: Minor centering of the XC1 onto the rail may be required for an optimum fit. The bolt interface requires only hand-tight tension and will not back out from recoil. Do not over-tighten.*

## REPLACING THE BATTERY

### ⚠ WARNING

Use of substandard batteries can cause injury or property damage. Visit [www.surefire.com/batterysafety](http://www.surefire.com/batterysafety).

Confirm that your firearm is unloaded. Do not place hands in front of muzzle when replacing and installing the battery in your XC1-B. Remove the battery cap by turning any of starred slots counterclockwise with coin or flathead/slot screwdriver (Fig. 2). Remove spent AAA battery and replace with a new AAA battery. Once new battery is in place with positive terminal facing outward, simply retighten the battery cap (by turning cap clockwise) and reinstall the XC1 onto the handgun (see above).

*NOTE: AAA NiMH batteries are recommended for optimum output and runtime. AAA lithium and alkaline batteries can also be used but with less runtime.*

## ACTIVATING THE XC1

Your XC1 was designed to allow support-hand activation in both momentary-on and constant-on modes when firing right- or left-handed (see Fig. 3).

## TOGGLE SWITCHING

**Momentary-on activation** Depress and hold either toggle switch for more than a tenth of a second or as long as needed to momentarily activate the XC1-B. Release to turn off.

**Constant-on activation with toggle switches:** The XC1-B is programmed for constant on activation by a quick tap and release action via either toggle switches.

*NOTE: The light will not activate when these rear switches are pushed upward or side-to-side. This intentional design-feature minimizes unintended activation when drawing or holstering.*

## SLIDE SWITCH ACTIVATION

**Constant-on activation, with slide switch:** Constant-on activation with toggle switches: The XC1-B is programmed for constant on activation by applying a quick tap and release action to either toggle switch. Depress either toggle switch to turn off the light.

*NOTE: If the XC1-B is initially activated to constant on using the slide switch it can only be turned off by moving the slide switch to the OFF position. The toggle switches cannot override the slide switch when it is moved to the ON position.*

### ⚠ BATTERY INFORMATION & WARNING

Before replacing batteries, read the enclosed BATTERY INFORMATION/WARNING insert in your original packaging. For additional battery safety, handling, and product information, visit [www.surefire.com/batteries](http://www.surefire.com/batteries).

## MAINTENANCE

Use a clean, dry cloth to wipe off body and window. Periodically clean and lubricate threads. Apply a thin coat of non-migrating, silicon-based lubricant to battery cap o-ring (do not use petroleum-based lubricants which can harm O-rings). For additional tips on maintaining your SureFire illumination tool, visit [www.surefire.com/faqs-maintenance](http://www.surefire.com/faqs-maintenance).

## ACCESSORIES

SureFire makes a full line of accessories for most of its illumination tools. For a complete listing, visit [www.surefire.com/partsaccessories](http://www.surefire.com/partsaccessories).

FIGURE 1

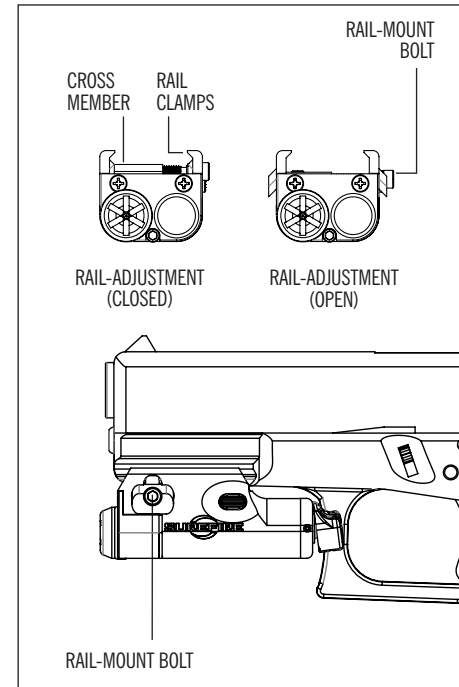


FIGURE 3

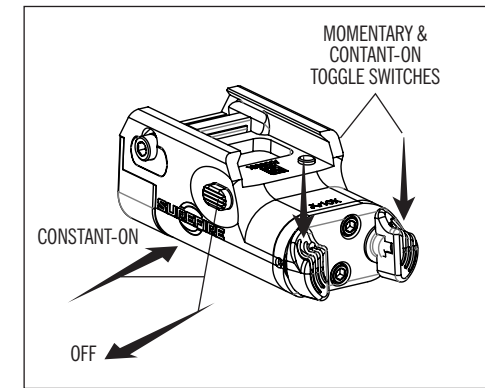


FIGURE 2

