

Z2/Z3[™]
COMBATLIGHT
Lithium Powered
Z2 - 65 Lumens
Z3 - 105 Lumens

With the purchase of this SUREFIRE light, you have invested in one of the world's best "illumination tools."

We believe it to be a prime example of our philosophy that design decisions should always be made in the interest of the product being the very best it can be.

Frequently, this means deciding to use a more costly process or a more expensive material than would normally be called for. We know that in order to produce the best, one must do it right.

We thank you for supporting this decision and electing to confirm our belief in "no compromise" in a product that, by its performance and reliability, may some day be called upon to save your life.

There is no other choice.

John Matthews
President, SureFire

Z2/Z3[™]
COMBATLIGHT
Lithium Powered
Z2 - 65 Lumens
Z3 - 105 Lumens

With the purchase of this SUREFIRE light, you have invested in one of the world's best "illumination tools."

We believe it to be a prime example of our philosophy that design decisions should always be made in the interest of the product being the very best it can be.

Frequently, this means deciding to use a more costly process or a more expensive material than would normally be called for. We know that in order to produce the best, one must do it right.

We thank you for supporting this decision and electing to confirm our belief in "no compromise" in a product that, by its performance and reliability, may some day be called upon to save your life.

There is no other choice.

John Matthews
President, SureFire

**WELCOME
TO THE SUREFIRE TEAM**

You have just become the owner of one of the most incredible pieces of lighting technology ever conceived. It is a masterpiece of engineering, a member of the SUREFIRE family which has gained the acceptance and respect of military and law enforcement professionals around the world.

- SUREFIRE lights provide overwhelming power, and they do this with a quality of beam that is unmatched in brilliance and performance.
- SUREFIRE's high pressure Xenon/Halogen lamps operate at the highest temperatures possible, producing extraordinary, brilliant, white light.
- Our reflectors are machined from solid billets of aircraft grade aluminum.
- Each SUREFIRE lamp assembly is permanently prefocused to within less than five thousands of an inch to achieve the absolutely flawless SUREFIRE beam.
- The switch is ergonomically located for in-the-dark positive activation.
- Whether you need a small light that can be carried in your pocket or a multipurpose professional light, SUREFIRE offers you models that range in power from 15 lumens to 500 lumens.
- You can have confidence that your choice of a SUREFIRE light will always reward you with years of superb, unflinching performance.

**WELCOME
TO THE SUREFIRE TEAM**

You have just become the owner of one of the most incredible pieces of lighting technology ever conceived. It is a masterpiece of engineering, a member of the SUREFIRE family which has gained the acceptance and respect of military and law enforcement professionals around the world.

- SUREFIRE lights provide overwhelming power, and they do this with a quality of beam that is unmatched in brilliance and performance.
- SUREFIRE's high pressure Xenon/Halogen lamps operate at the highest temperatures possible, producing extraordinary, brilliant, white light.
- Our reflectors are machined from solid billets of aircraft grade aluminum.
- Each SUREFIRE lamp assembly is permanently prefocused to within less than five thousands of an inch to achieve the absolutely flawless SUREFIRE beam.
- The switch is ergonomically located for in-the-dark positive activation.
- Whether you need a small light that can be carried in your pocket or a multipurpose professional light, SUREFIRE offers you models that range in power from 15 lumens to 500 lumens.
- You can have confidence that your choice of a SUREFIRE light will always reward you with years of superb, unflinching performance.

ACCESSORIES

BeamFilters	Red	F26
	Blue	F27
	Infrared	F16
BeamShaper		F24
Tip-Off Cover		F17
Traffic Cone - Red		F28
Turbo Head	Z2 - KT1	Z3 - KT2
Z2 - 120 Lumen Lamp		P61
Z3 - 200 Lumen Lamp		P91
Shock Isolated Bezel		Z32
Lens Replacement Kit		Z17
Polymer Holster		V70
Nylon Holster	Z2 - V20, V21	
	Z3 - V10, V11	
Headband Flashlight Holder		V80
CarryAll Pouch		Z2-V50; Z3-V60
Tail Cap Lanyard Ring		Z26
Lanyard, Black		Z27
Tail Cap Lanyard Kit		Z33
Spares Carrier		SC1
Hurricane™ Emergency Battery Pack Light (includes 12 each SF123A)		12B

ACCESSORIES

BeamFilters	Red	F26
	Blue	F27
	Infrared	F16
BeamShaper		F24
Tip-Off Cover		F17
Traffic Cone - Red		F28
Turbo Head	Z2 - KT1	Z3 - KT2
Z2 - 120 Lumen Lamp		P61
Z3 - 200 Lumen Lamp		P91
Shock Isolated Bezel		Z32
Lens Replacement Kit		Z17
Polymer Holster		V70
Nylon Holster	Z2 - V20, V21	
	Z3 - V10, V11	
Headband Flashlight Holder		V80
CarryAll Pouch		Z2-V50; Z3-V60
Tail Cap Lanyard Ring		Z26
Lanyard, Black		Z27
Tail Cap Lanyard Kit		Z33
Spares Carrier		SC1
Hurricane™ Emergency Battery Pack Light (includes 12 each SF123A)		12B

CUSTOMER SERVICE

REPAIRS AND REPLACEMENTS

To obtain repair or replacement contact Customer Service at 800-828-8809 (toll free) or 714-545-9444 and obtain a Return Authorization number (RA#). Then package the unit carefully and return (no COD's please) to:

SUREFIRE LLC
Repairs Department, RA# ____
18300 Mt. Baldy Circle
Fountain Valley, CA 92708

SUREFIRE will pay any reasonable shipping costs to return the unit to you.

Protected by U.S. Patent Number(s)
6,046,572 , 6,222,138

© SUREFIRE LLC 2001 ALL RIGHTS RESERVED
14150-5/2-13-01

CUSTOMER SERVICE

REPAIRS AND REPLACEMENTS

To obtain repair or replacement contact Customer Service at 800-828-8809 (toll free) or 714-545-9444 and obtain a Return Authorization number (RA#). Then package the unit carefully and return (no COD's please) to:

SUREFIRE LLC
Repairs Department, RA# ____
18300 Mt. Baldy Circle
Fountain Valley, CA 92708

SUREFIRE will pay any reasonable shipping costs to return the unit to you.

Protected by U.S. Patent Number(s)
6,046,572 , 6,222,138

© SUREFIRE LLC 2001 ALL RIGHTS RESERVED
14150-5/2-13-01

**The
Z2/Z3 COMBATLIGHT**

The CombatLights are the ideal compact personal-defense flashlight. The blinding bright beam will clearly reveal objects 70 yards away or more on a starless night and is powerful enough to visually disorient and daze an aggressor.

While powerful at 65 lumens, the Z2 CombatLight can also give you double the output power with the optional 120 lumen P61 lamp assembly accessory. The Z3 CombatLight gives 105 lumens of light and you can double the output power with the optional 200 lumen P91 lamp assembly accessory.

The unique Lock-Out tail cap switch is simple to operate and fail-proof. This switch is easy to locate in the dark regardless of flashlight orientation. To prevent accidental activation during transport or storage, the Lock-Out feature disables the switch.

The streamlined body incorporates an exclusive cutaway design that will facilitate the Rogers/SureFire shooting technique.

Powered by lithium batteries with a ten (10) year shelf life, the CombatLight will be ready to go even after long term intervals between use.

With its convenient carry size, low profile design, and brilliant beam, the CombatLight takes the concept of personal defense lights to a new level.

**The
Z2/Z3 COMBATLIGHT**

The CombatLights are the ideal compact personal-defense flashlight. The blinding bright beam will clearly reveal objects 70 yards away or more on a starless night and is powerful enough to visually disorient and daze an aggressor.

While powerful at 65 lumens, the Z2 CombatLight can also give you double the output power with the optional 120 lumen P61 lamp assembly accessory. The Z3 CombatLight gives 105 lumens of light and you can double the output power with the optional 200 lumen P91 lamp assembly accessory.

The unique Lock-Out tail cap switch is simple to operate and fail-proof. This switch is easy to locate in the dark regardless of flashlight orientation. To prevent accidental activation during transport or storage, the Lock-Out feature disables the switch.

The streamlined body incorporates an exclusive cutaway design that will facilitate the Rogers/SureFire shooting technique.

Powered by lithium batteries with a ten (10) year shelf life, the CombatLight will be ready to go even after long term intervals between use.

With its convenient carry size, low profile design, and brilliant beam, the CombatLight takes the concept of personal defense lights to a new level.

Z2/Z3 COMBATLIGHT

There are two ways to activate the light. The Tail Cap switch of the Flashlight can be activated by rotating the Tail Cap in a clockwise direction for a constant "ON" setting or by pressing on the Push Button for temporary light.

To Turn flashlight "ON"



For Constant Light

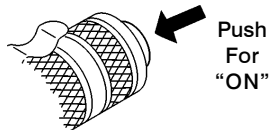
ON - Turn Tail Cap clockwise (viewed from the tail)

OFF - Turn Tail Cap counterclockwise

For Momentary Light

ON - Press Push Button

OFF - Release Push Button

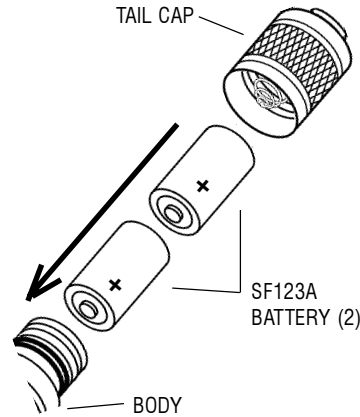


Switch Lockout Procedure

1. From the constant "ON" position, back the Tail Cap "OFF" until the light goes out and turn the Tail Cap one full turn counterclockwise from this position.
2. Push Button switch is now locked out.
3. Restore Push Button function, rotate the Tail Cap one full turn clockwise.

INSTALLING THE BATTERY

1. Remove the Flashlight Tail Cap by unscrewing it until it is free of the Flashlight Body.
2. Insert the SF123A Batteries into the Flashlight Body with positive (+) end of the Batteries toward the front of the light.
3. Install the Flashlight Tail Cap back on to the Flashlight Body by turning it until the light comes on. Then back off 1/2 to 1 turn until the light goes off.
4. The CombatLight is now ready for use.



Z2/Z3 COMBATLIGHT

There are two ways to activate the light. The Tail Cap switch of the Flashlight can be activated by rotating the Tail Cap in a clockwise direction for a constant "ON" setting or by pressing on the Push Button for temporary light.

To Turn flashlight "ON"



For Constant Light

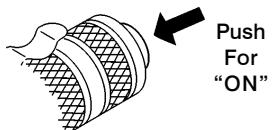
ON - Turn Tail Cap clockwise (viewed from the tail)

OFF - Turn Tail Cap counterclockwise

For Momentary Light

ON - Press Push Button

OFF - Release Push Button

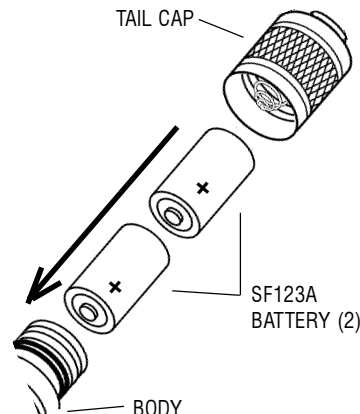


Switch Lockout Procedure

1. From the constant "ON" position, back the Tail Cap "OFF" until the light goes out and turn the Tail Cap one full turn counterclockwise from this position.
2. Push Button switch is now locked out.
3. Restore Push Button function, rotate the Tail Cap one full turn clockwise.

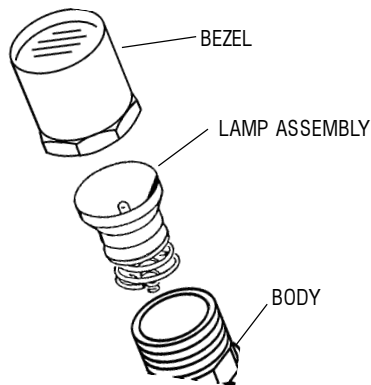
INSTALLING THE BATTERY

1. Remove the Flashlight Tail Cap by unscrewing it until it is free of the Flashlight Body.
2. Insert the SF123A Batteries into the Flashlight Body with positive (+) end of the Batteries toward the front of the light.
3. Install the Flashlight Tail Cap back on to the Flashlight Body by turning it until the light comes on. Then back off 1/2 to 1 turn until the light goes off.
4. The CombatLight is now ready for use.



CHANGING THE LAMP

1. Remove the Bezel from the Body by holding the Body and rotating the Head counterclockwise (as viewed from the front of the Flashlight) until it is free of the Body.
2. Remove the Lamp/Reflector and replace with the desired Lamp/Reflector. **Avoid touching the Lamp envelope or Reflector as this will degrade the performance of your SUREFIRE Light.**
3. Install the Bezel back onto the Body.

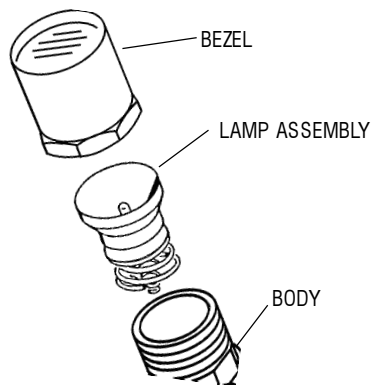


SPECIFICATIONS

Power Output	Z2 - P60, 65 Lumens Z3 - P90 105 Lumens
Run Time	60 Minutes
Battery Type	Lithium - SF123A
Number Required	Z2 - Two (2) Z3 - Three (3)
Supplied	Yes
Length	Z2 - 5.1 inches Z3 - 6.5 inches
Weight	Z2 - 5.25 ounces Z3 - 6.7 ounces
Diameter	Body - 1.0 inch Bezel - 1.25 inch
Lamp Assembly	Z2 - Xenon P60 Z3 - Xenon P90
Lens	Polycarbonate, Scratch resistant
Switch	Tail Cap Type: Rotation/Pressure Activation w/ Lock-Out Disable
Body Material	Aircraft Grade Aluminum
Finish	External: Anodized Internal: Chem film Mil-C-5541
Color	Black
Water Resistant	O-Ring Sealed
Lanyard	Nylon

CHANGING THE LAMP

1. Remove the Bezel from the Body by holding the Body and rotating the Head counterclockwise (as viewed from the front of the Flashlight) until it is free of the Body.
2. Remove the Lamp/Reflector and replace with the desired Lamp/Reflector. **Avoid touching the Lamp envelope or Reflector as this will degrade the performance of your SUREFIRE Light.**
3. Install the Bezel back onto the Body.



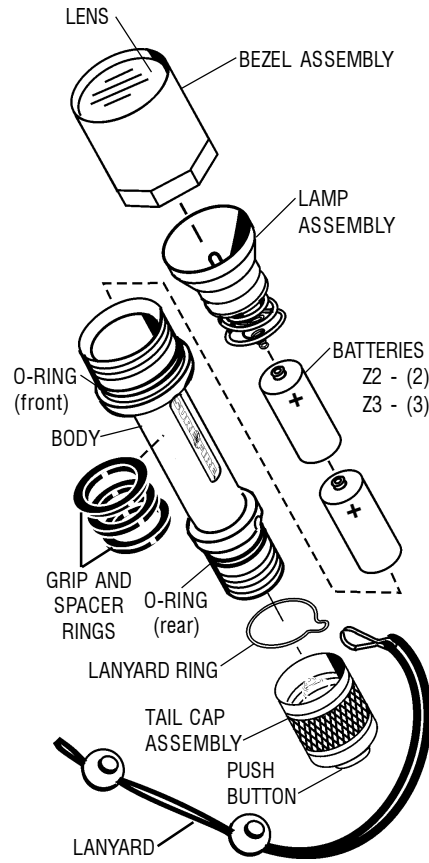
SPECIFICATIONS

Power Output	Z2 - P60, 65 Lumens Z3 - P90 105 Lumens
Run Time	60 Minutes
Battery Type	Lithium - SF123A
Number Required	Z2 - Two (2) Z3 - Three (3)
Supplied	Yes
Length	Z2 - 5.1 inches Z3 - 6.5 inches
Weight	Z2 - 5.25 ounces Z3 - 6.7 ounces
Diameter	Body - 1.0 inch Bezel - 1.25 inch
Lamp Assembly	Z2 - Xenon P60 Z3 - Xenon P90
Lens	Polycarbonate, Scratch resistant
Switch	Tail Cap Type: Rotation/Pressure Activation w/ Lock-Out Disable
Body Material	Aircraft Grade Aluminum
Finish	External: Anodized Internal: Chem film Mil-C-5541
Color	Black
Water Resistant	O-Ring Sealed
Lanyard	Nylon

PARTS REPLACEMENT LIST

Component	Part No.
Battery - Lithium	SF123A
Z2 Comes in both Black & Gun Metal Gray	
Z2 65 Lumen Lamp Assembly	P60
Z3 105 Lumen Lamp Assembly	P90
Z2 120 Lumen Lamp Assembly	P61
Z3 200 Lumen Lamp Assembly	P91
Lens	11956-1
Lock Out Tail Cap Assembly	12708-1
Lanyard	Z27
Lanyard Ring	Z26
Grip Ring	12447-1
Spacer Ring	12446-1

Z2/Z3 COMBATLIGHT



PARTS REPLACEMENT LIST

Component	Part No.
Battery - Lithium	SF123A
Z2 Comes in both Black & Gun Metal Gray	
Z2 65 Lumen Lamp Assembly	P60
Z3 105 Lumen Lamp Assembly	P90
Z2 120 Lumen Lamp Assembly	P61
Z3 200 Lumen Lamp Assembly	P91
Lens	11956-1
Lock Out Tail Cap Assembly	12708-1
Lanyard	Z27
Lanyard Ring	Z26
Grip Ring	12447-1
Spacer Ring	12446-1

Z2/Z3 COMBATLIGHT

